



SupraLink

Discover it!



SLHB
HIGH-MOUNT SENSOR

 **SUPRA**
www.supralighting.com

SLHB

TECHNICAL DATA SHEET
WIRELESS SWITCH

Bluetooth Technology for iOS and Android

Grouping and Zoning:

Wirelessly groups luminaires so that they act synchronized with each other.

PIR Occupancy Sensor:

Sets the delay time and attenuation level for a group of sensors through the application. Allows linking to the sensor network.

Daylight Photo Cell:

Dims or illuminates according to the natural light available at the moment (wireless calibration).

Scene Control:

Controls the color temperature and brightness of a luminaire or group of luminaires, with various scene buttons.

Code for Administrator/Guest Control Authority:

The system automatically generates Administrator or Guest QR codes for each zone. Scanning the QR code, a second phone can copy all settings.

Wireless Bluetooth Technology:

Operates at 2.4 GHz which is a public ISM frequency. The wireless communication is encrypted, ensuring it does not interfere with other Bluetooth devices. Thus, SupraLink can be used simultaneously with other Bluetooth devices without any issues.





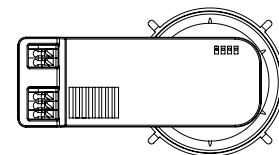
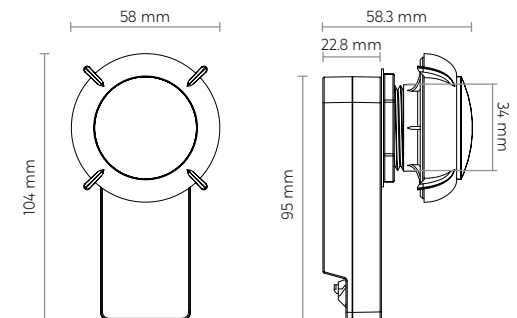
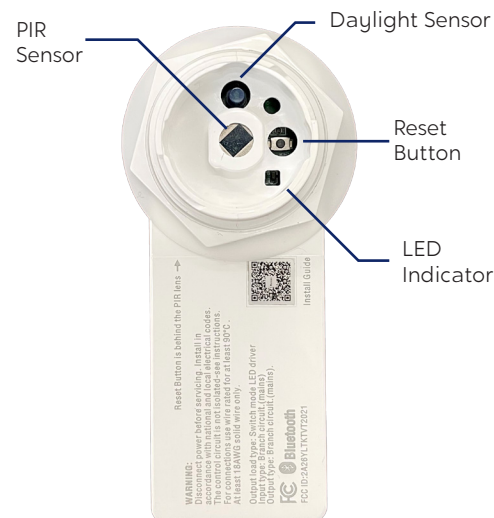
SLHB

TECHNICAL DATA SHEET
WIRELESS SWITCH

Electrical Characteristics:

Input Voltage	120 - 277 VAC 50/60 Hz
Maximum Load	5 A, 600 W or more, only for LED controller
Energy Consumption	Maximum 1 W
Dimming	0-10 V
Mounting Height	40 feet
Detectable Speed	1-10 feet/second (0.3-3 m/s)
Detection Range	40 feet
Operating Temperature	-40°C a 55°C
Protection Rating	IP65

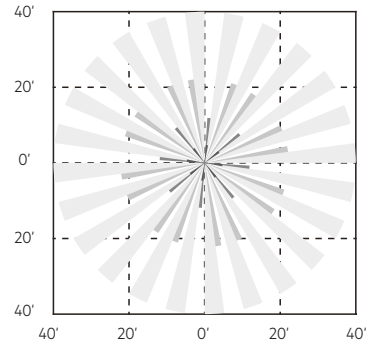
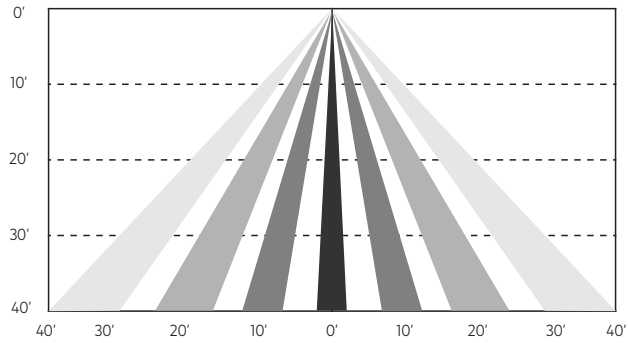
Dimensions:



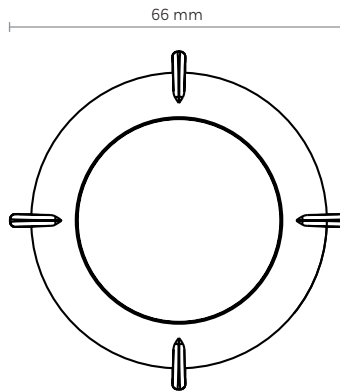
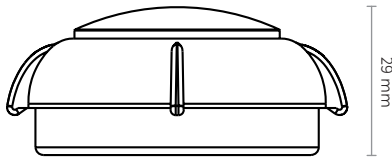
SAN-HB

TECHNICAL DATA SHEET
WIRELESS SWITCH

Lens Aperture



High-Mount Sensor



Contact

Corporate Headquarters:

500 W 2nd St

Floor 19

Austin, TX 78701

Phone: (512) 870-9827

Manufacturing Facility:

Av Abraham Lincoln

66023 Garcia, Nuevo Leon

Mexico



Supra Lighting Incorporated

info@supralighting.com

service@supralighting.com

www.supralighting.com