



SupraLink



SL-HBS

HIGH BAY SENSOR

SL-HBS

DATASHEET
SUPRALINK HIGH BAY SENSOR

Bluetooth Technology for iOS and Android

Grouping and Zoning:

Luminaires are grouped and zoned wirelessly so that they act in sync with each other.

PIR Occupancy Sensor:

Set the time delay and the dimming level for a group of sensors through the app. Supports a link to the sensor network.

Daylight Photocell:

Dims and brightens according to the current natural light (wireless calibration available).

Scene Control:

Control color temperature and brightness of a fixture or group of fixtures with the different Scenes buttons.

Code for Admin/Guest Control Authority:

The system automatically generates Administrator and Guest QR codes for each zone. A user can simply scan the QR code with their phone to copy all the settings.





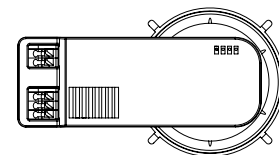
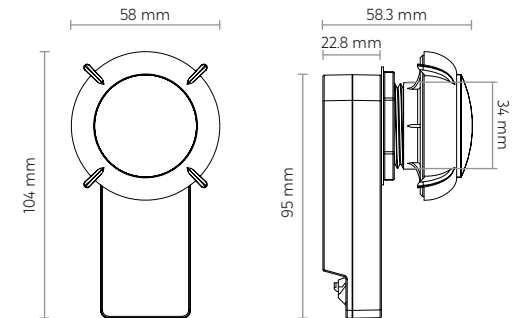
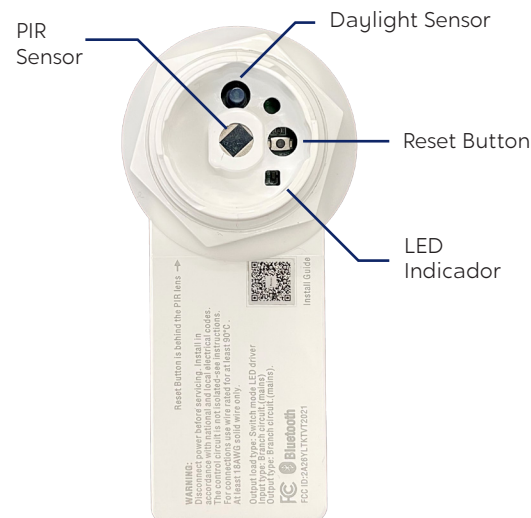
SL-HBS

DATASHEET
SUPRALINK HIGH BAY SENSOR

Electrical Specifications:

Input Voltage:	120 - 277 VAC 50/60 Hz
Maximum Load:	5 A, 600 W plus. Only for LED driver
Energy Consumption:	Maximum 1 W
Attenuation:	0-10 V
Mounting Height:	40 feet
Detectable Speed:	1~10 feet/sec (0,3~3 m/s)
Detection Range:	40 feet
Operating Temperature:	-40°C to 55°C
Degree of Protection:	IP65

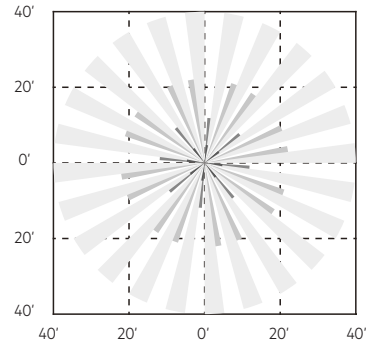
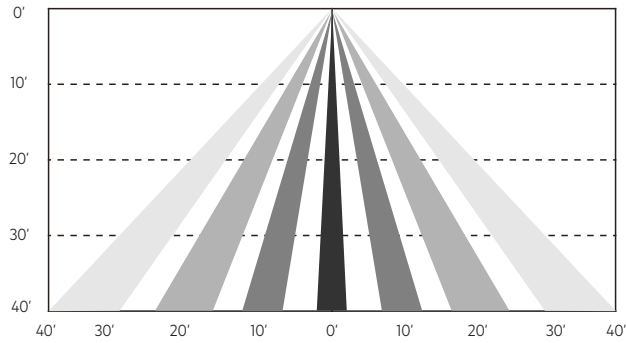
Dimensions:



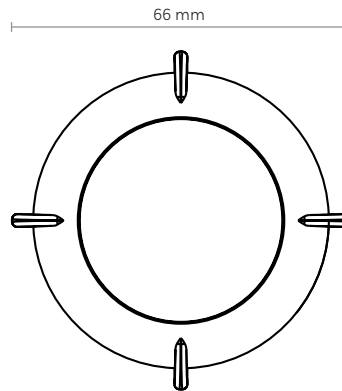
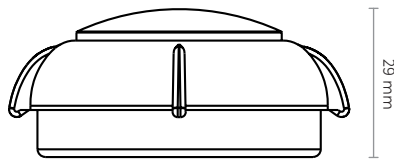
SL-HBS

DATASHEET
SUPRALINK HIGH BAY SENSOR

Lens Aperture



Sensor for High Mount



Contact

Corporate Headquarters:

500 W 2nd St

Floor 19

Austin, TX 78701

Phone: (512) 870-9827

Manufacturing Facility:

Av Abraham Lincoln

66023 García, Nuevo León

Mexico



Supra Lighting Incorporated

info@supralighting.com

service@supralighting.com

www.supralighting.com