



TECHNICAL SHEET

PEL-C by SUPRA, is designed and manufactured to be installed in areas with humidity, dirt, dust, corrosion, vibrations, or NEMA 3 and 4X areas where wind, water, snow, or high temperatures can be expected. Suitable for hazardous areas due to the presence of vapors, flammable gases, or combustible dust as defined by the NEC. Replaces HPS/MH, improves lighting efficiency while saving energy and maintenance costs.

- Durable LEDs resistant to 5G shocks and vibrations with weld-free plate connection.
- Safe and reliable heat transfer: offers a T T6 (CID1)/T4A (CID2, CIID2) classification.
- Copper-free aluminum body and frame resistant to corrosion, exposed fasteners made of 316-grade stainless steel. High-temperature silicone gaskets and glass diffuser resistant to thermal shocks and impacts. Features a lightweight and compact design with a high protection rating (IK09) (IP66).

SUGGESTED USE

- Power plants
- Heavy industrial product warehouses
- Paper mills
- Water treatment plants
- Loading dock platforms
- Petrochemicals



Compliance / Certifications

- UL844
- Class I Division 1, Group C, D
- Class I Division 2, Group A, B, C, D
- Class II Division 2, Group F, G
- Class III
- Class I, Zone 1, Group IIB
- Class I, Zone 2, Group IIC
- Zone 22
- UL 1598 Wet Locations
- UL 1598A Marine Exterior (saltwater)
- CSA C22.2 No.137-M1981
- CSA C22.2 NO. 250.0
- 5G Vibration
- 1,000 hours of salt spray



Not all variations of this product qualify for DLC. Visit www.designlights.org/search to confirm certification.

Benefits of our LED lighting



Improves lighting levels



Long lifespan



High degree of protection



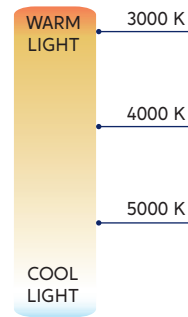
Lower kW/h consumption

PEL-C by SUPRA has a good color rendering index (CRI) and is available in three color temperature options (K):

3000K Warm White: This light tone provides a soft illumination that invites relaxation.

4000K Neutral White: Emits a natural brightness ideal for common areas and medium-detail workspaces.

5000K Cool White: Provides a bright daylight-like environment, ideal for medium to high-detail workspaces.



Electrical Characteristics

- Electronic driver
- Universal voltage: AC 120 - 277, 347 - 480 V~ (50/60 Hz)
- Power factor: > 0.9
- Surge protection: 4kV
- Operating temperature: -40°C to 60°C
- Input types: 3 x NPT3/4 (one at the top and two on the sides)
- Terminations: 3 x NPT3/4 (one at the top and two on the sides)
- Average life: 50,000 hours

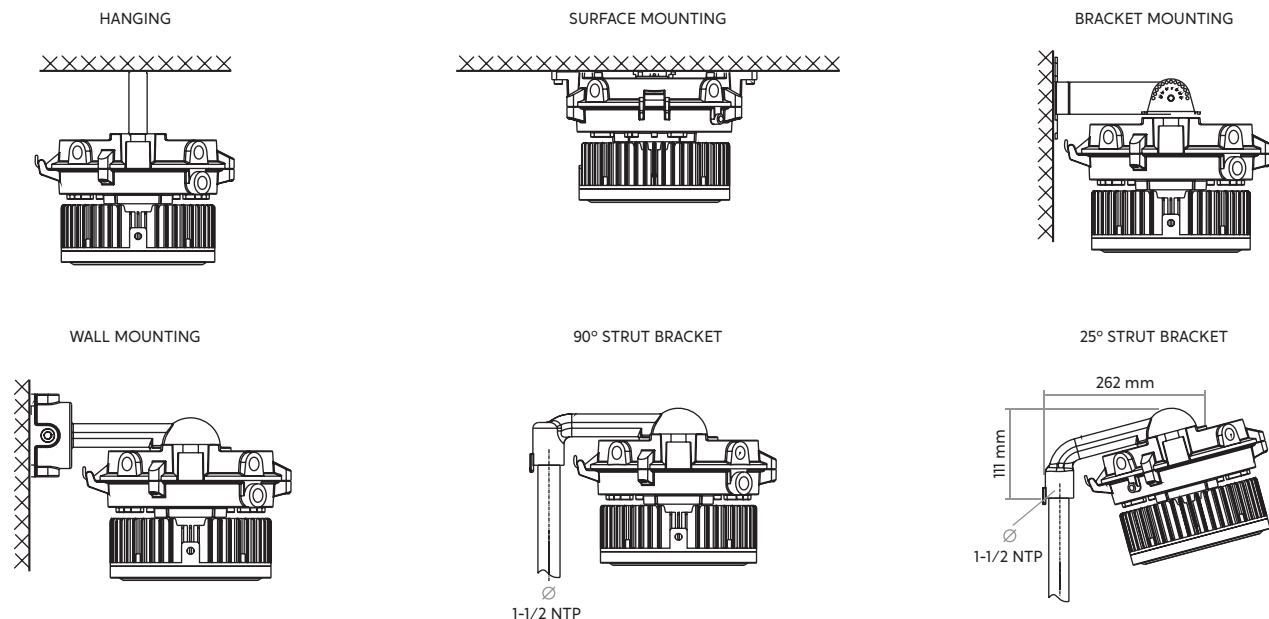
Lumen Maintenance

- L70: > 170,000 hours of operation at 60 rating

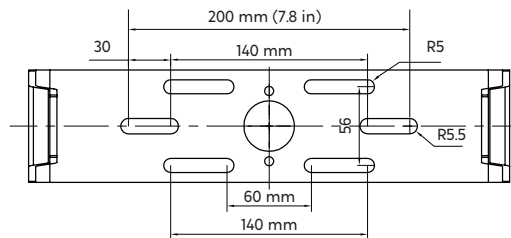
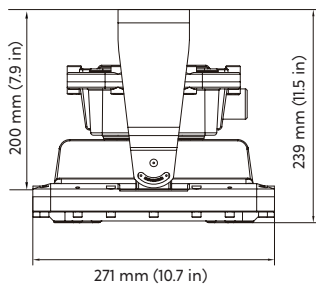
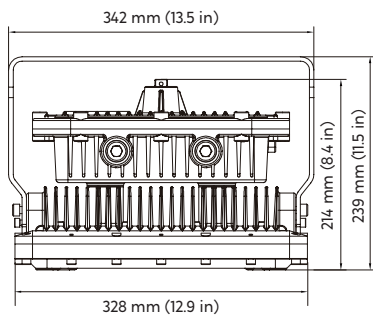
Installation Manual



Installation



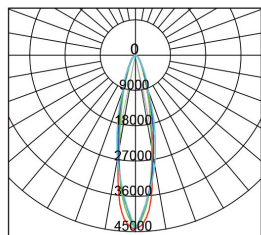
Dimensions



WEIGHT: 15.5 kg

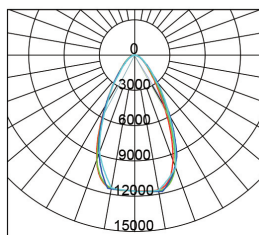
LIGHT DISTRIBUTION

25°



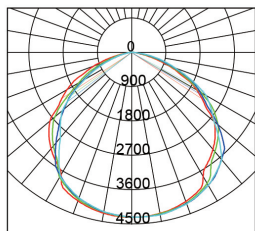
- C0/180,22.4
- C30/210,21.5
- C60/240,23.7
- C90/270,25.8

60°



- C0/180,56.0
- C30/210,56.7
- C60/240,58.4
- C90/270,56.9

120°



- C0/180,114.5
- C30/210,114.1
- C60/240,110.6
- C90/270,113.2

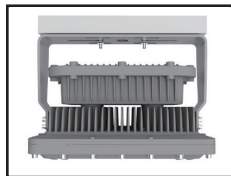


ACCESSORIES AND OPTIONS

PEL-C Mounting



Hanging



Screwed on Ceiling



Screwed on Wall



Post Tip



Anti-glare Visor



Safety Cable

UB01



Stainless steel U-shaped bracket for ceiling and wall.

UB03



Stainless steel U-shaped bracket for ceiling and wall, anti-vibration.

UB04



Stainless steel U-shaped bracket, 360° rotation.

SN01



Stainless steel accessory for post tip.

SP01 / SP02



10 kV surge protector.

WG01



Stainless steel protective guard.

SP01 / SP02



Stainless steel safety cable.

WG01



Stainless steel anti-glare visor to prevent glare.

3000 K, 4000 K, 5000 K

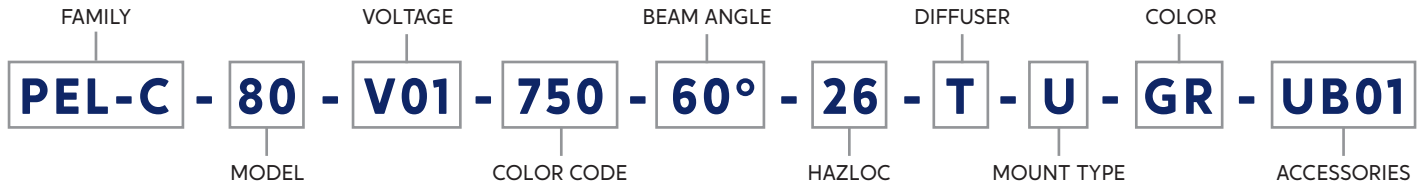
FAMILY	WATT CODE	IRC	LUMINOUS FLUX	VOLTAGE	WATTS	EFFICIENCY
PEL-C	80	≥70	10,400 lm	277 V	80 W	130 lm/W*
PEL-C	100	≥70	13,000 lm	277 V	100 W	130 lm/W*
PEL-C	150	≥70	19,500 lm	277 V	150 W	130 lm/W*

*Value calculated based on 5000 K, varies according to different specifications.



HOW TO ORDER THE SERIES

Order Example:



Series to Order:

PEL-C

FAMILY	MODELO	VOLTAGE	COLOR CODE	BEAM ANGLE	HAZLOC	DIFFUSER (COVER)	MOUNT TYPE
PEL-C: Series	80: 80W 100: 100W 150: 150W	V01: AC100-277V V04: AC277-480V	730: 70 IRC y 3000 K 740: 70 IRC y 4000 K 750: 70 IRC y 5000 K	25°: 25° 60°: 60° 110°: 120°	1: CID1 26: CID2,CIID2	T: Transparent Glass D: Diffused Glass	P: NPT 3/4 Hanging U: NPT 3/4 Hanging + U Bracket

COLOR	ACCESSORIES
DG: Dark Gray BL: Black WT: White BZ: Bronze	UB01: U Bracket UB03: Anti-vibration U Bracket UB04: 360° U Bracket SN01: 2" Pole Top Accessory SP01: 10 kV Surge Protector 100~277 V SP02: 10 kV Surge Protector 347~480 V WG01: Steel Guard AC01: Steel Safety Cable LS05: Anti-glare Visor 00XX: No Accessory
	<p>Note: This field is optional. Accessories have additional costs. These accessories are not compatible with each other.</p>



SUPRA guarantees the quality of this product against internal functionality failures for 5 years, provided that our established warranty policies are adhered to. This warranty is applicable to all our direct customers. For more information, please visit our website at www.supradesarrollos.com/garantía

500 W 2nd St. Floor 19
Austin, TX 78701

The images as well as the information contained in this document may undergo changes. Please consult your SUPRA Advisor before placing your order.

Rev01: 04/2024